

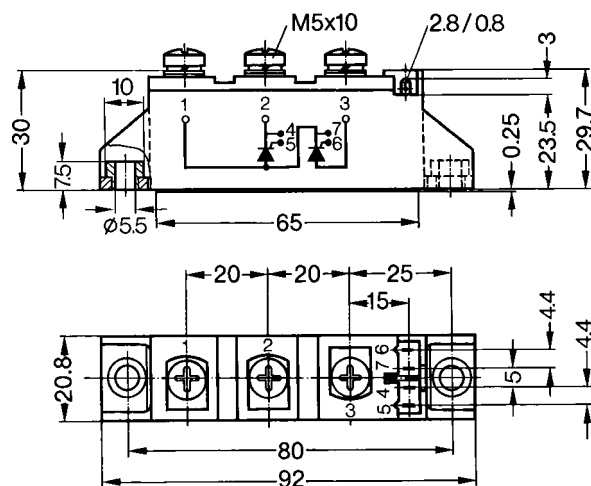
Product Change Notice

(PCN No.: 03/03A)

Picture:



Dimensions (in mm):



Products:

VMK90, VMK165
 VMM45
 VMO40, VMO60
 MCC21, MCC26, MCC44, MCC56, MCC60
 MCD26, MCD44, MCD56
 MDA72, MDC56
 MDD26, MDD44, MDD56
 MEA75, MEA95
 MEE75, MEE95
 MEK75, MEK95, MEK150