

# Thyristor \ Diode Module

$$V_{RRM} = 2 \times 1600 \text{ V}$$

$$I_{TAV} = 85 \text{ A}$$

$$V_T = 1.34 \text{ V}$$

Phase leg

Part number

**MCD72-16io1B**



Backside: isolated

 E72873



## Features / Advantages:

- Thyristor for line frequency
- Planar passivated chip
- Long-term stability
- Direct Copper Bonded Al<sub>2</sub>O<sub>3</sub>-ceramic

## Applications:

- Line rectifying 50/60 Hz
- Softstart AC motor control
- DC Motor control
- Power converter
- AC power control
- Lighting and temperature control

## Package: TO-240AA

- Isolation Voltage: 4800 V~
- Industry standard outline
- RoHS compliant
- Soldering pins for PCB mounting
- Base plate: DCB ceramic
- Reduced weight
- Advanced power cycling

## Disclaimer Notice

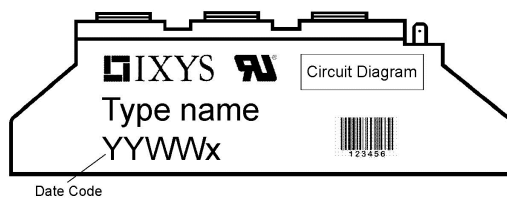
Information furnished is believed to be accurate and reliable. However, users should independently evaluate the suitability of and test each product selected for their own applications. Littelfuse products are not designed for, and may not be used in, all applications. Read complete Disclaimer Notice at [www.littelfuse.com/disclaimer-electronics](http://www.littelfuse.com/disclaimer-electronics).



| Rectifier      |  |  | Ratings                 |      |      |                   |
|----------------|--|--|-------------------------|------|------|-------------------|
| Symbol         | Definition   | Conditions   | min.                    | typ. | max. | Unit              |
| $V_{RSM/DSM}$  | max. non-repetitive reverse/forward blocking voltage | $T_{VJ} = 25^{\circ}C$   |                         |      | 1700 | V                 |
| $V_{RRM/DRM}$  | max. repetitive reverse/forward blocking voltage     | $T_{VJ} = 25^{\circ}C$   |                         |      | 1600 | V                 |
| $I_{RD}$       | reverse current, drain current                       | $V_{R/D} = 1600 V$   | $T_{VJ} = 25^{\circ}C$  |      | 200  | $\mu A$           |
|                |  | $V_{R/D} = 1600 V$   | $T_{VJ} = 125^{\circ}C$ |      | 5    | mA                |
| $V_T$          | forward voltage drop                                 | $I_T = 150 A$  | $T_{VJ} = 25^{\circ}C$  |      | 1.34 | V                 |
|                |  | $I_T = 300 A$  |                         |      | 1.74 | V                 |
|                |  | $I_T = 150 A$  | $T_{VJ} = 125^{\circ}C$ |      | 1.34 | V                 |
|                |  | $I_T = 300 A$  |                         |      | 1.82 | V                 |
| $I_{TAV}$      | average forward current                              | $T_C = 85^{\circ}C$  | $T_{VJ} = 125^{\circ}C$ |      | 85   | A                 |
| $I_{T(RMS)}$   | RMS forward current                                  | 180° sine  |                         |      | 133  | A                 |
| $V_{T0}$       | threshold voltage                                    | } for power loss calculation only  | $T_{VJ} = 125^{\circ}C$ |      | 0.85 | V                 |
| $r_T$          | slope resistance                                     |  |                         |      | 3.2  | m $\Omega$        |
| $R_{thJC}$     | thermal resistance junction to case                  |  |                         |      | 0.3  | K/W               |
| $R_{thCH}$     | thermal resistance case to heatsink                  |  |                         | 0.2  |      | K/W               |
| $P_{tot}$      | total power dissipation                              |  | $T_C = 25^{\circ}C$     |      | 333  | W                 |
| $I_{TSM}$      | max. forward surge current                           | $t = 10 \text{ ms}; (50 \text{ Hz}), \text{ sine}$   | $T_{VJ} = 45^{\circ}C$  |      | 1.70 | kA                |
|                |  | $t = 8,3 \text{ ms}; (60 \text{ Hz}), \text{ sine}$  | $V_R = 0 V$             |      | 1.84 | kA                |
|                |  | $t = 10 \text{ ms}; (50 \text{ Hz}), \text{ sine}$   | $T_{VJ} = 125^{\circ}C$ |      | 1.45 | kA                |
|                |  | $t = 8,3 \text{ ms}; (60 \text{ Hz}), \text{ sine}$  | $V_R = 0 V$             |      | 1.56 | kA                |
| $I^2t$         | value for fusing                                     | $t = 10 \text{ ms}; (50 \text{ Hz}), \text{ sine}$   | $T_{VJ} = 45^{\circ}C$  |      | 14.5 | kA <sup>2</sup> s |
|                |  | $t = 8,3 \text{ ms}; (60 \text{ Hz}), \text{ sine}$  | $V_R = 0 V$             |      | 14.0 | kA <sup>2</sup> s |
|                |  | $t = 10 \text{ ms}; (50 \text{ Hz}), \text{ sine}$   | $T_{VJ} = 125^{\circ}C$ |      | 10.4 | kA <sup>2</sup> s |
|                |  | $t = 8,3 \text{ ms}; (60 \text{ Hz}), \text{ sine}$  | $V_R = 0 V$             |      | 10.1 | kA <sup>2</sup> s |
| $C_J$          | junction capacitance                                 | $V_R = 400 V \quad f = 1 \text{ MHz}$  | $T_{VJ} = 25^{\circ}C$  |      | 119  | pF                |
| $P_{GM}$       | max. gate power dissipation                          | $t_p = 30 \mu s$   | $T_C = 125^{\circ}C$    |      | 10   | W                 |
|                |  | $t_p = 300 \mu s$  |                         |      | 5    | W                 |
| $P_{GAV}$      | average gate power dissipation                       |  |                         |      | 0.5  | W                 |
| $(di/dt)_{cr}$ | critical rate of rise of current                     | $T_{VJ} = 125^{\circ}C; f = 50 \text{ Hz}$ repetitive, $I_T = 250 A$   |                         |      | 150  | A/ $\mu s$        |
|                |  | $t_p = 200 \mu s; di_G/dt = 0.45 A/\mu s;$<br>$I_G = 0.45 A; V = \frac{2}{3} V_{DRM}$ non-repet., $I_T = 85 A$             |                         |      | 500  | A/ $\mu s$        |
| $(dv/dt)_{cr}$ | critical rate of rise of voltage                     | $V = \frac{2}{3} V_{DRM}$<br>$R_{GK} = \infty; \text{ method 1 (linear voltage rise)}$                                     | $T_{VJ} = 125^{\circ}C$ |      | 1000 | V/ $\mu s$        |
| $V_{GT}$       | gate trigger voltage                                 | $V_D = 6 V$  | $T_{VJ} = 25^{\circ}C$  |      | 2.5  | V                 |
|                |  |  | $T_{VJ} = -40^{\circ}C$ |      | 2.6  | V                 |
| $I_{GT}$       | gate trigger current                                 | $V_D = 6 V$  | $T_{VJ} = 25^{\circ}C$  |      | 150  | mA                |
|                |  |  | $T_{VJ} = -40^{\circ}C$ |      | 200  | mA                |
| $V_{GD}$       | gate non-trigger voltage                             | $V_D = \frac{2}{3} V_{DRM}$  | $T_{VJ} = 125^{\circ}C$ |      | 0.2  | V                 |
| $I_{GD}$       | gate non-trigger current                             |  |                         |      | 10   | mA                |
| $I_L$          | latching current                                     | $t_p = 10 \mu s$   | $T_{VJ} = 25^{\circ}C$  |      | 450  | mA                |
|                |  | $I_G = 0.45 A; di_G/dt = 0.45 A/\mu s$   |                         |      |      |                   |
| $I_H$          | holding current                                      | $V_D = 6 V \quad R_{GK} = \infty$  | $T_{VJ} = 25^{\circ}C$  |      | 200  | mA                |
| $t_{gd}$       | gate controlled delay time                           | $V_D = \frac{1}{2} V_{DRM}$<br>$I_G = 0.45 A; di_G/dt = 0.45 A/\mu s$  | $T_{VJ} = 25^{\circ}C$  |      | 2    | $\mu s$           |
| $t_q$          | turn-off time  | $V_R = 100 V; I_T = 150 A; V = \frac{2}{3} V_{DRM}$<br>$di/dt = 10 A/\mu s \quad dv/dt = 20 V/\mu s \quad t_p = 200 \mu s$ | $T_{VJ} = 100^{\circ}C$ |      | 185  | $\mu s$           |



| Package TO-240AA |  |                      |                                     | Ratings |      |      |  |
|------------------|--|----------------------|-------------------------------------|---------|------|------|--|
| Symbol           | Definition   | Conditions           | min.                                | typ.    | max. | Unit |  |
| $I_{RMS}$        | RMS current  | per terminal         |                                     |         | 200  | A    |  |
| $T_{VJ}$         | virtual junction temperature                                 |                      | -40                                 |         | 125  | °C   |  |
| $T_{op}$         | operation temperature  |                      | -40                                 |         | 100  | °C   |  |
| $T_{stg}$        | storage temperature  |                      | -40                                 |         | 125  | °C   |  |
| <b>Weight</b>    |  |                      |                                     |         | 81   | g    |  |
| $M_D$            | mounting torque  |                      | 2.5                                 |         | 4    | Nm   |  |
| $M_T$            | terminal torque  |                      | 2.5                                 |         | 4    | Nm   |  |
| $d_{Spp/App}$    | creepage distance on surface   striking distance through air | terminal to terminal | 13.0                                | 9.7     |      | mm   |  |
| $d_{Spb/Apb}$    |  | terminal to backside | 16.0                                | 16.0    |      | mm   |  |
| $V_{ISOL}$       | isolation voltage  | t = 1 second         |                                     | 4800    |      | V    |  |
|                  |  | t = 1 minute         | 50/60 Hz, RMS; $I_{ISOL} \leq 1$ mA | 4000    |      | V    |  |



| Ordering | Ordering Number | Marking on Product | Delivery Mode | Quantity | Code No. |
|----------|-----------------|--------------------|---------------|----------|----------|
| Standard | MCD72-16io1B    | MCD72-16io1B       | Box           | 36       | 473871   |

| Similar Part    | Package     | Voltage class |
|-----------------|-------------|---------------|
| MCMA85PD1600TB  | TO-240AA-1B | 1600          |
| MCMA110PD1600TB | TO-240AA-1B | 1600          |

**Equivalent Circuits for Simulation**

\* on die level

$T_{VJ} = 125^{\circ}\text{C}$



**Thyristor**

|              |                    |      |    |
|--------------|--------------------|------|----|
| $V_{0\ max}$ | threshold voltage  | 0.85 | V  |
| $R_{0\ max}$ | slope resistance * | 2    | mΩ |



**Outlines TO-240AA**



General tolerance: DIN ISO 2768 class „c“



**Optional accessories for modules**

Keyed gate/cathode twin plugs with wire length = 350 mm, gate = white, cathode = red  
Type ZY 200L (L = Left for pin pair 4/5) UL 758, style 3751



**Thyristor**



Fig. 1 Surge overload current  
 $I_{TSM}$ ,  $I_{FSM}$ : Crest value, t: duration

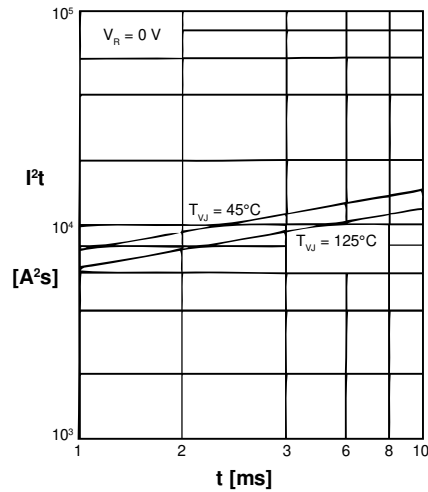


Fig. 2  $I^2t$  versus time (1-10 ms)



Fig. 3 Maximum forward current at case temperature

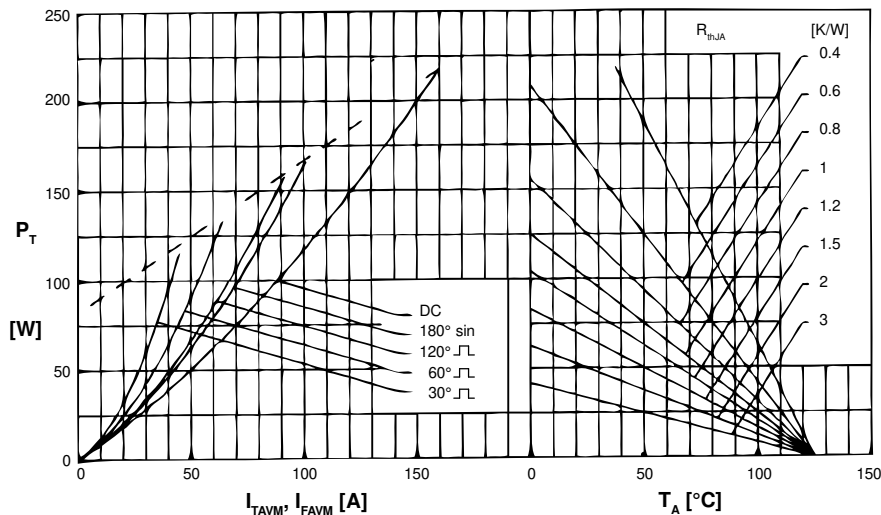


Fig. 4 Power dissipation vs. onstate current and ambient temperature (per thyristor/diode)

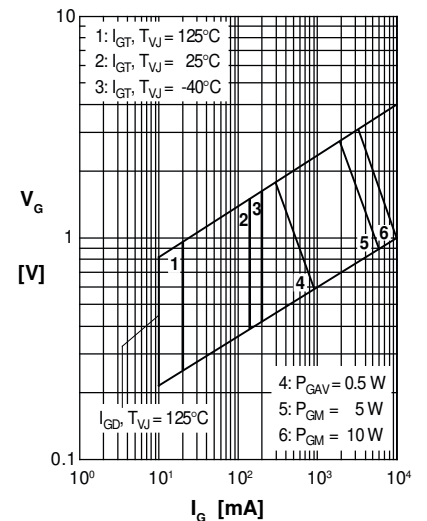


Fig. 5 Gate trigger characteristics

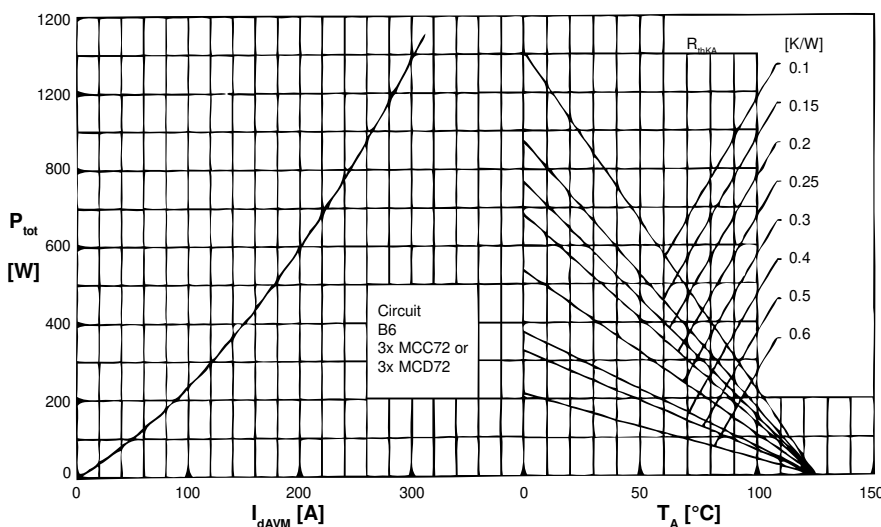


Fig. 6 Three phase rectifier bridge: Power dissipation versus direct output current and ambient temperature

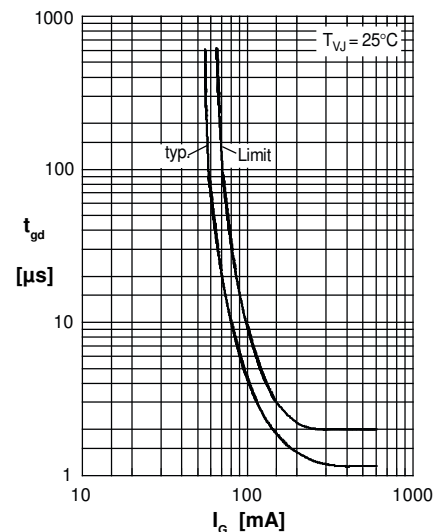


Fig. 7 Gate trigger delay time

**Rectifier**



Fig. 8 Three phase AC-controller: Power dissipation versus RMS output current and ambient temperature



Fig. 9 Transient thermal impedance junction to case (per thyristor)

$R_{thJC}$  for various conduction angles d:

| d    | $R_{thJC}$ [K/W] |
|------|------------------|
| DC   | 0.30             |
| 180° | 0.31             |
| 120° | 0.33             |
| 60°  | 0.35             |
| 30°  | 0.37             |

Constants for  $Z_{thJC}$  calculation:

| i | $R_{thi}$ [K/W] | $t_i$ [s] |
|---|-----------------|-----------|
| 1 | 0.008           | 0.0019    |
| 2 | 0.054           | 0.0470    |
| 3 | 0.238           | 0.3000    |



Fig. 10 Transient thermal impedance junction to heatsink (per thyristor)

$R_{thJK}$  for various conduction angles d:

| d    | $R_{thJK}$ [K/W] |
|------|------------------|
| DC   | 0.50             |
| 180° | 0.51             |
| 120° | 0.53             |
| 60°  | 0.55             |
| 30°  | 0.57             |

Constants for  $Z_{thJK}$  calculation:

| i | $R_{thi}$ [K/W] | $t_i$ [s] |
|---|-----------------|-----------|
| 1 | 0.008           | 0.0019    |
| 2 | 0.054           | 0.0470    |
| 3 | 0.238           | 0.3000    |
| 4 | 0.200           | 1.2500    |